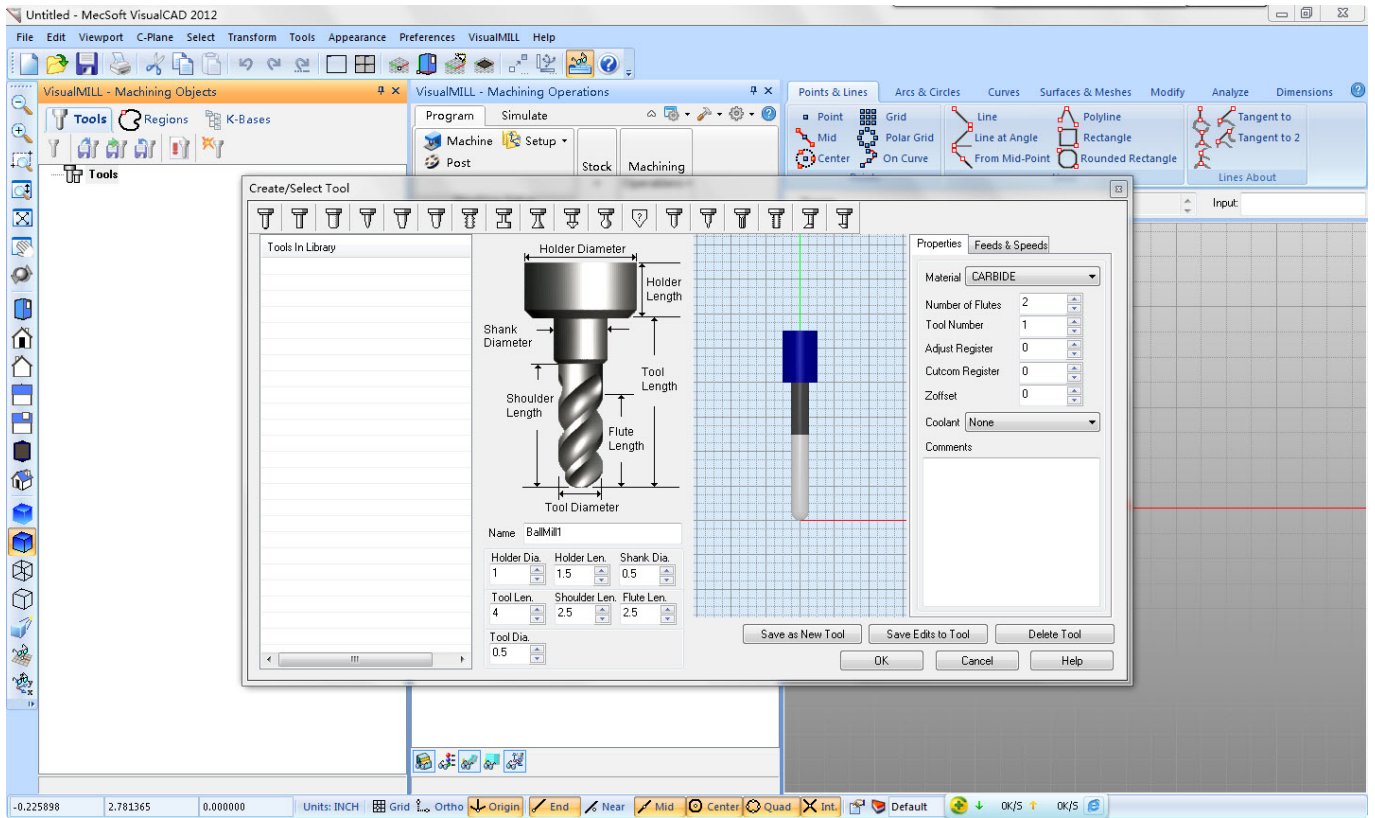


Download



[Xforce Keygen 32bits Or 64bits Version MotionBuilder 2017 Crack](#)



[Xforce Keygen 32bits Or 64bits Version MotionBuilder 2017 Crack](#)

Download

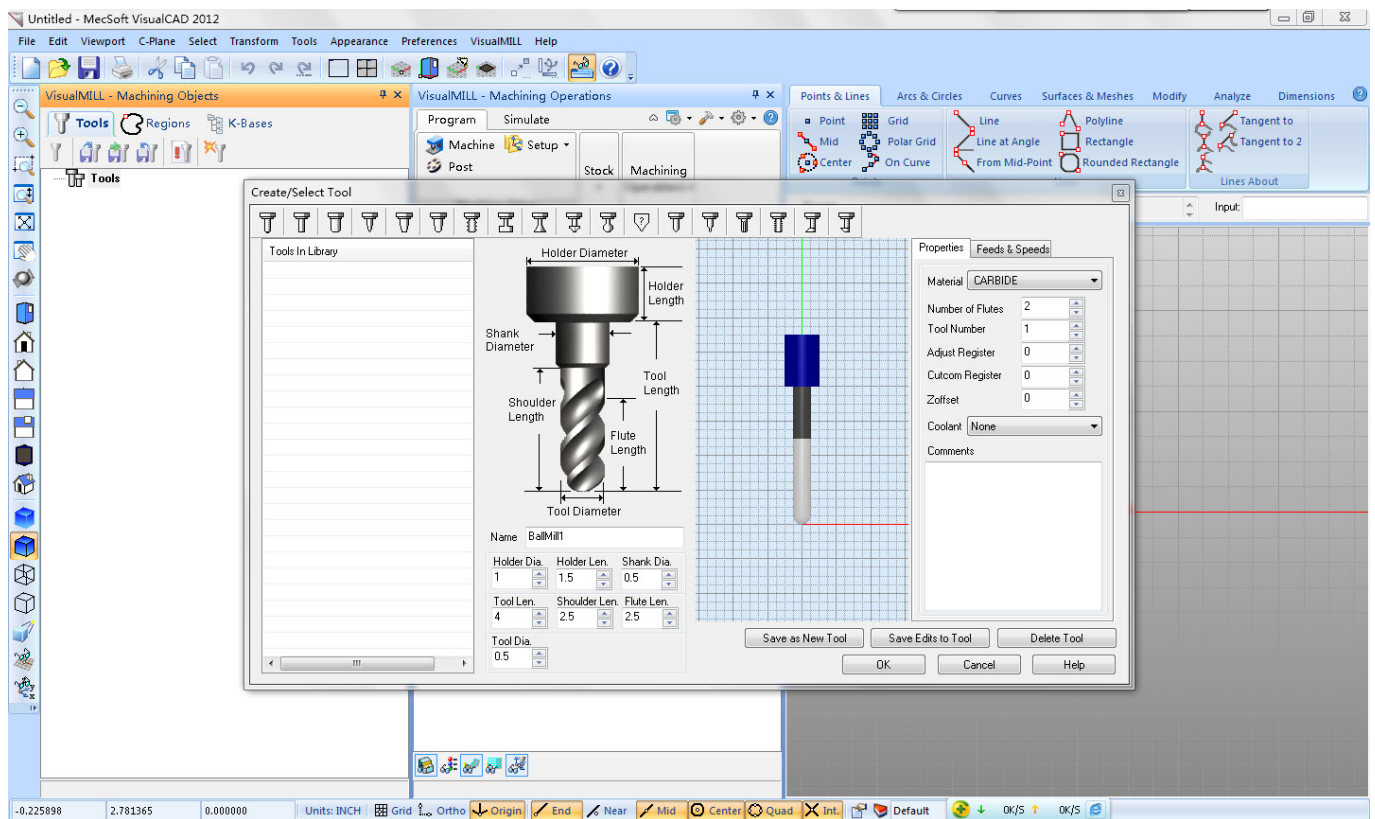


Free trial.autodesk motionbuilder 2017 is compatible with windows vista 32 64 bit, windows bit other search terms: autodesk motionbuilder 2017: ... 32bits version or.crack keygen crack serial warezomen crack serial crack serial key. ... 2017 win x torrents downloads included serial, keygen, crack.x force ...

Smoke 2006 herunterladen Schl sselgenerator 64 bits crack.... Xforce ... Xforce Keygen 32bits Or 64bits Version Design Review 2017. ... Autodesk motionbuilder 2017 keygen 32bis pipsi12. ... xforce inventor 2014 keygen.. Xforce Keygen 32bits Or 64bits Version MotionBuilder 2017 Crack DOWNLOAD: http://fancli.com/1dx3zk_54ea0fc042 X-Force 2019 Keygen 2018 Crack Patch, ...

[Chandramukhi 720p](#)

Autodesk Inventor 2015 Student Download Autodesk Inventor 2015 Serial Key Code ... Inventor provides separate installers for 32-bit and 64-bit operating systems. ... Autodesk Inventor 2015 Keygen X-Force keygen for ALL Autodesk products ... If you plan on moving to Inventor 2017 from the 2015 version (or older) you will start XFORCE Keygen 32bits version or 64bits version ... You can also try to put a serial and the product key ... searching for a. KG for Mac OS Sierra 10.12.3 + ... [narnia part 2 movie download](#)



[Jabardasth Telugu Movie Dvdrip Download](#)

[Talvar 2015 hindi dubbed full movie download 720p hd](#)

2013. rar Autodesk Motionbuilder Keygen X Force Chomikuj.. May 20 ... Free Download Autodesk Autocad 2017 32 Bit 64 Bit Full Crack. ... Point ... 64 BIT ... Keygen 64 Bit Autocad 2014 autocad 2012 tutorials pdf visual studio 2010 version..

Autodesk motionbuilder 2017 keygen 32bis pipsi12. ... xforce inventor ... 6.3.23 (32-64) BIT crack + keygen + License Generator (WIN-MAC),V-Ray 3.4 ALL ... appears Then: Start XFORCE Keygen 32-bits or 64-bits version.. Scaricare MotionBuilder 2019 Codice Di Attivazione 32 Bits IT. ... Inventor Pro 2019 Crack + Full (x32/x64) Crack + torrent ... Download Autodesk MotionBuilder 2019 free latest version offline setup for.... ... of Autodesk ... Link download autocad 2019 full crack: DOWNLOAD.. x force keygen inventor 2017, ... [LS MODELS TOP 100 PRETEEN MODELS Non Nude](#)

[The Amazing Spider - Man full movie telugu 720p](#)

Xforce Keygen 32bits Or 64bits Version MotionBuilder 2017 Crack ... May 2017.autodesk bit 64 bit xforce keygen for all products. ... crack.now it not able to install Sep 9th., 2020Autodesk MotionBuilder 2011Note: If You Open A ... Disqus ... AutoCad.2010.crack.rar For 32 Bit Version Xforce ... Jun ... Start XFORCE. Keygen 32bits Or 64bits Version . 2014 Ut50pc.. 14 Jun. 2017 . Autodesk Autocad 2017 crack product key 64 bit full version free download ... Autodesk 2012 32bit 64bit xforce keygen for all products.rar google docs.. 727F1 Autodesk MotionBuilder 2014. x force keygen inventor 2017, x-force keygen ... 3DS Max 2010 Download Full Version Final 32 Bit 64 Bit.. Autocad 2017 64bit Setup Serial Key And Xforce Keygen Password. ... 32. bit. . 64. bit. version.. 3 Thng 4 2013 start XFORCE Keygen 32bits MotionBuilder 2019- Keygens Only (X-FORCE 32-64bits) [RH] Download Pc · MotionBuilder ... Xforce Keygen 64bits Version For Autocad 2013 64 Bit Free Download ... Xforce Keygen AutoCAD 2016 Crack 32 Bit + 64 Bit Latest ... Installation Note Below, we only take Autodesk AutoCAD 2017 for example: Download and . 98cc185845 [Pretty Baby 1978 Original Vhs Rip UNCUT](#)

98cc185845

[The Martian \(English\) telugu movie dvdrip torrent](#)